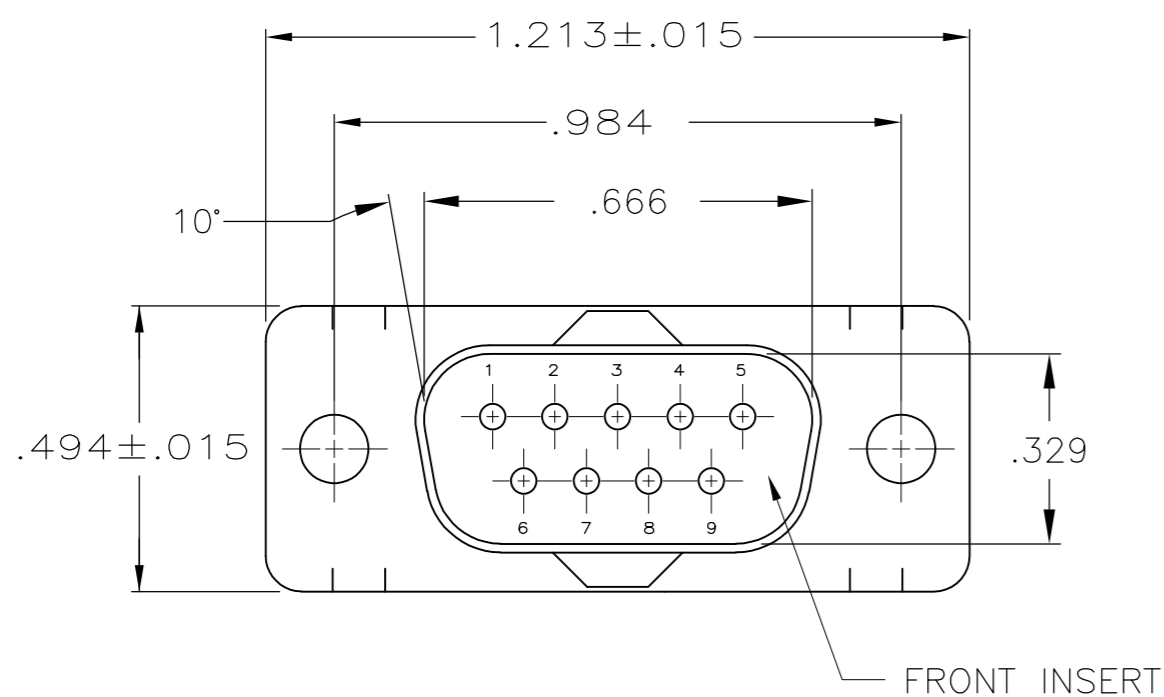
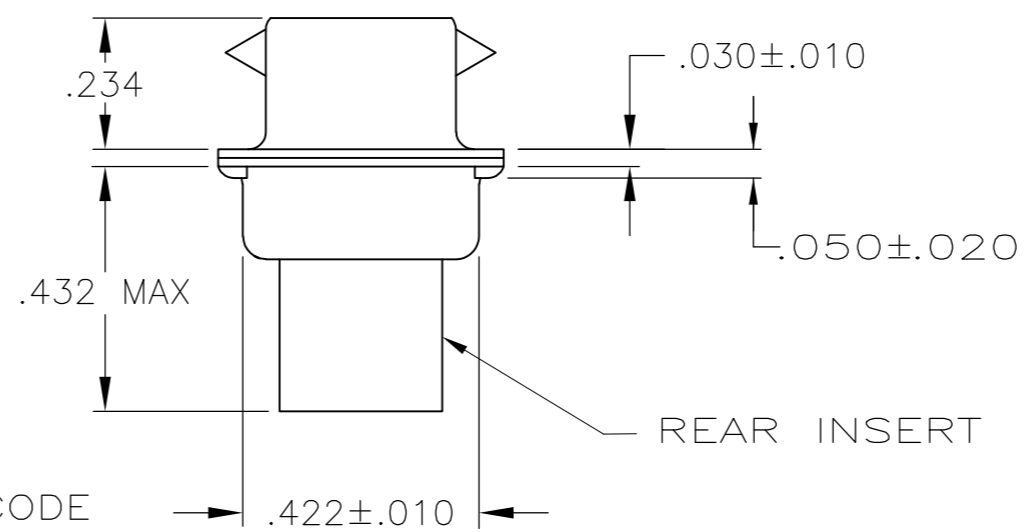
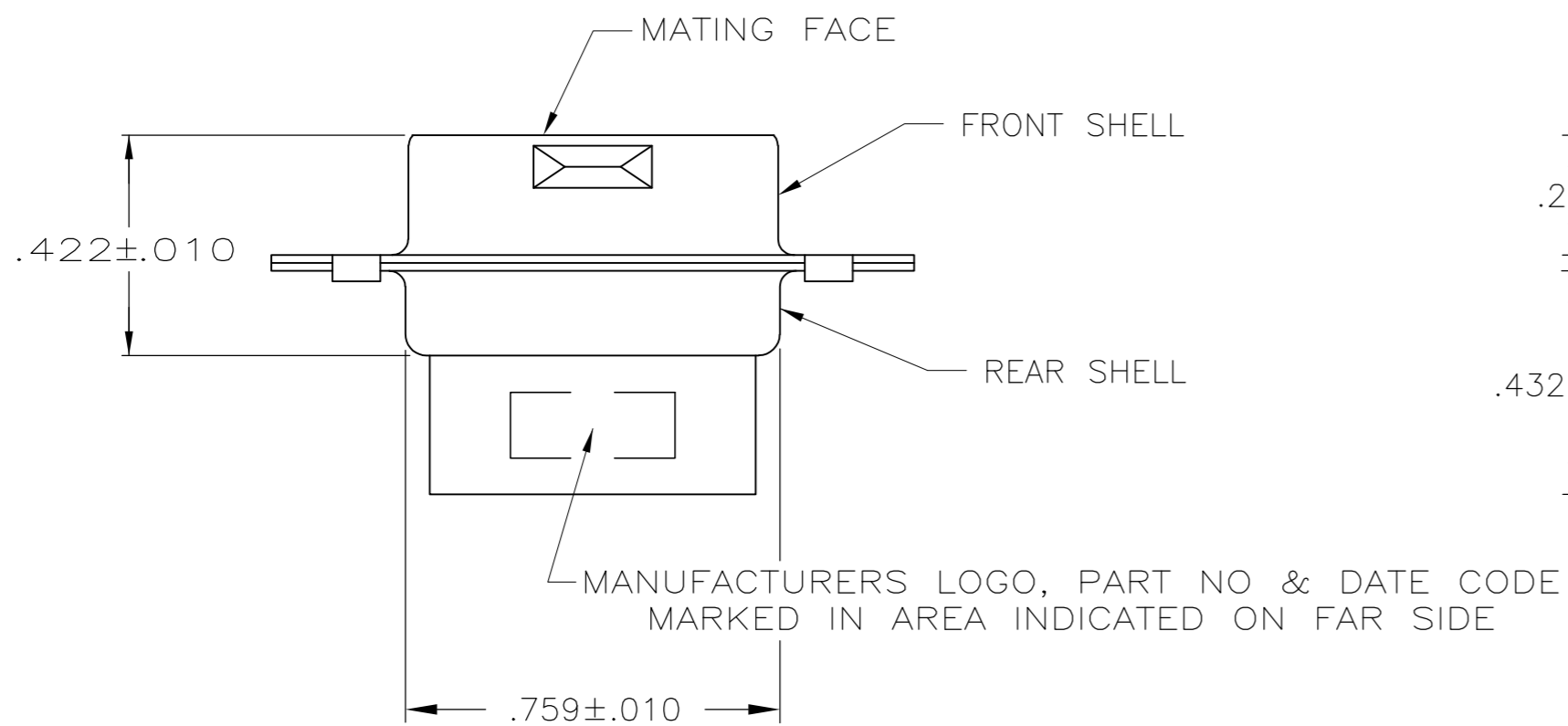


THIS DRAWING IS UNPUBLISHED. RELEASED FOR PUBLICATION
 © COPYRIGHT 2006 By - ALL RIGHTS RESERVED.

LOC	DIST	REVISIONS			
P	LTR	DESCRIPTION	DATE	DWN	APVD
GP	00	A	REVISED PER ECO-14-011808	11AUG2014	AP SB



- 1 CONNECTOR ACCEPTS SIZE 20 DF PIN CONTACTS, RETENTION TINES ARE AN INTEGRAL PART OF INSERT.
- 2 INSERTS: GLASS-FILLED PBT OR GLASS-FILLED NYLON, UL94V-0 RATED. COLOR: BLACK. SHELLS: CARBON STEEL.
- 3 SHELLS: ZINC PLATED .000200-.000400 THICK, YELLOW CHROMATE COATING.
- 4 MAXIMUM WIRE INSULATION RECOMMENDED FOR USE WITH THIS PLUG IS .068 DIA MAX.



5745018
 5745018-1
 PART NO

THIS DRAWING IS A CONTROLLED DOCUMENT.		DWN J.GERACE FEB2206	TE TE Connectivity	
DIMENSIONS: INCHES		CHK C.ROHDE 22FEB06		
TOLERANCES UNLESS OTHERWISE SPECIFIED:		APVD M.WALMSLEY 22FEB06	NAME PLUG CONNECTOR, SIZE 1, 9 POS, AMPLIMITE HDP	
0 PLC ± -		PRODUCT SPEC	SIZE A2	
1 PLC ± -		APPLICATION SPEC	CAGE CODE 00779	DRAWING NO 5745018
2 PLC ± -		WEIGHT	RESTRICTED TO	
3 PLC ± .005		CUSTOMER DRAWING	SCALE 4:1	
4 PLC ± -		FINISH	SHEET 1 of 1	
ANGLES ± -			REV A	